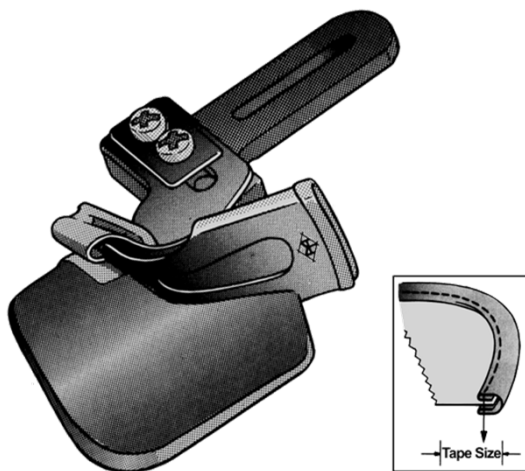


**PARTS FOR FOLDERS & BINDERS**

**A1 DOUBLE FOLD BIAS BINDER**

TAPE SIZES

- 16MM
- 18MM
- 20MM
- 22MM
- 24MM
- 26MM
- 28MM
- 30MM
- 32MM
- 36MM
- 38MM
- 40MM

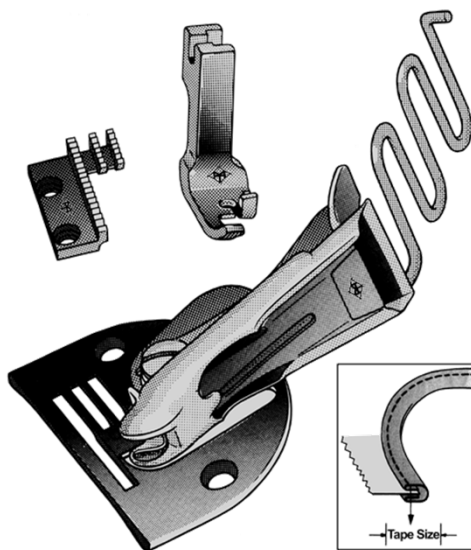


**A10 (S60)(K010)**

**RIGHT ANGLE BIAS BINDER**

TAPE SIZES

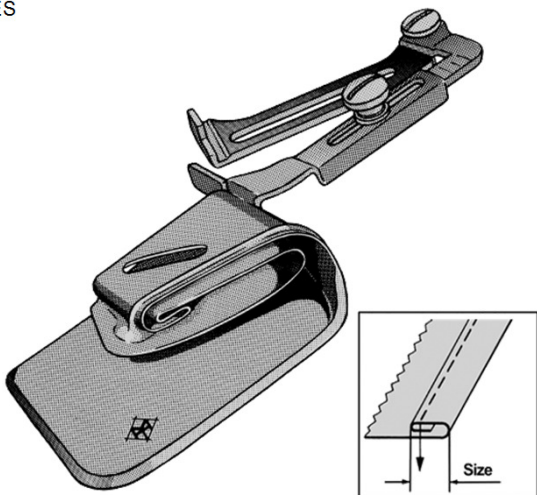
- 16MM
- 18MM
- 20MM
- 22MM
- 24MM
- 26MM
- 28MM
- 30MM
- 32MM
- 34MM
- 36MM
- 38MM
- 40MM
- 45MM
- 50MM



**A11 (A72L,S72L) SWING HEMMER**

HEM SIZES

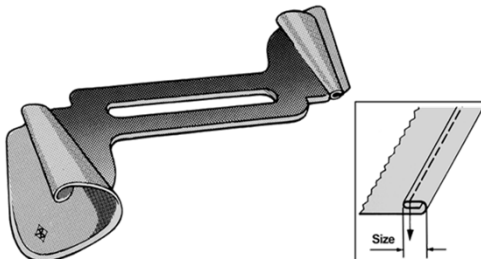
- 6MM
- 8MM
- 10MM
- 12MM
- 13MM
- 15MM
- 16MM
- 18MM
- 19MM
- 20MM
- 22MM
- 25MM
- 28MM
- 30MM
- 32MM
- 35MM
- 38MM
- 40MM
- 45MM
- 50MM
- 76MM



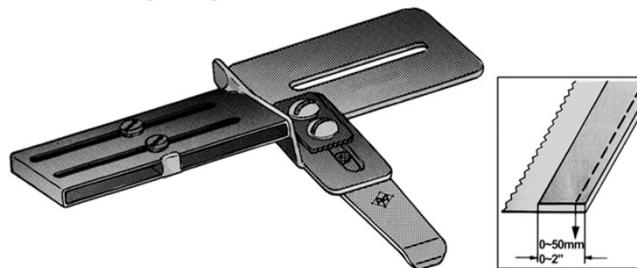
**A13 TWIN PLAIN HEMMER**

HEM SIZES

- 1/8"-3/16"
- 18"-1/4"



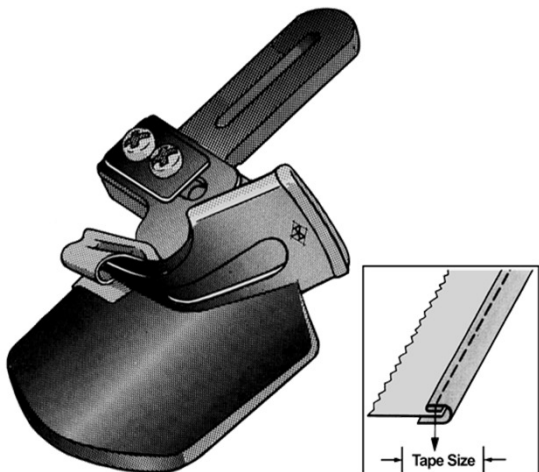
**AG50 (S52) ADJUSTABLE TAPE GUIDE**



**A2 SINGLE FOLD BIAS BINDER**

TAPE SIZES

- 16MM
- 18MM
- 20MM
- 22MM
- 24MM
- 26MM
- 28MM
- 30MM
- 32MM
- 36MM
- 40MM

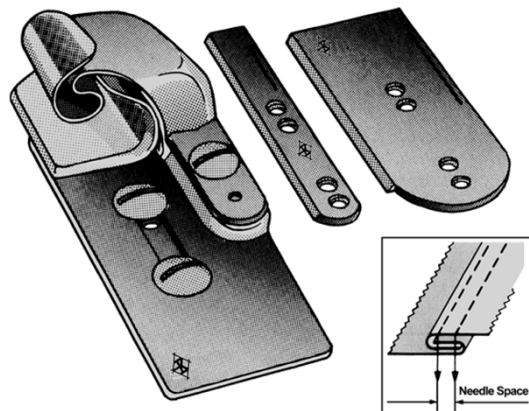


**A30 (121586,121757)**

**SPRING TYPE LAP SEAM FOLDER**

NEEDLE SPACE

- 1/8" M
- 1/8" H
- 1/8" H
- 5/32" M
- 5/32" MH
- 5/32" H
- 3/16" M
- 3/16" MH
- 3/16" H
- 3/16" XH
- 1/4" M
- 1/4" MH
- 1/4" H
- 1/4" XH
- 1/4" XL
- 5/16" M
- 5/16" MH
- 5/16" H
- 5/16" XH

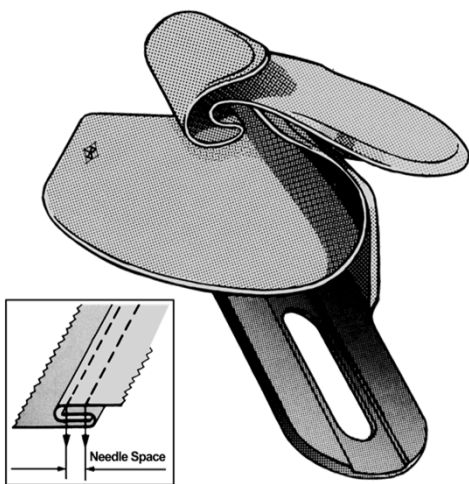


**PARTS FOR FOLDERS & BINDERS**

**A31 (S112) SPRING TYPE LAP SEAM FOLDER**

NEEDLE SPACE

- 1/8"M
- 1/8"MH
- 1/8"H
- 5/32"M
- 5/32"MH
- 5/32"H
- 3/16"M
- 3/16"MH
- 3/16"H
- 3/16"XH
- 1/4"M
- 1/4"MH
- 1/4"H
- 1/4"XH
- 5/16"M
- 5/16"MH
- 5/16"H
- 5/16"XH

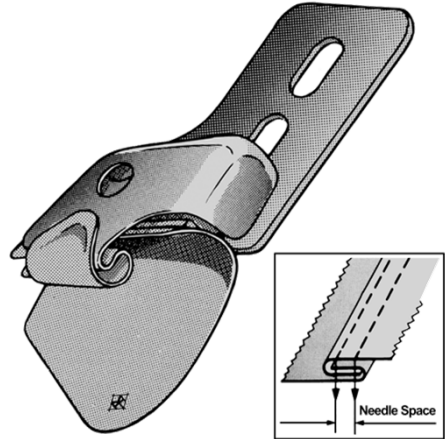


The image shows a 3D perspective view of the A31 folder with a piece of material being processed. An inset diagram shows a cross-section of the material with a dashed line indicating the needle space and a solid line showing the folder's profile.

**A32 (23420V) SPRING TYPE LAP SEAM FOLDER**

NEEDLE SPACE

- 1/8"M
- 1/8"MH
- 1/8"H
- 5/32"M
- 5/32"MH
- 5/32"H
- 3/16"M
- 3/16"MH
- 3/16"H
- 3/16"XH
- 1/4"M
- 1/4"MH
- 1/4"H
- 1/4"XH
- 5/16"M
- 5/16"MH
- 5/16"H
- 5/16"XH

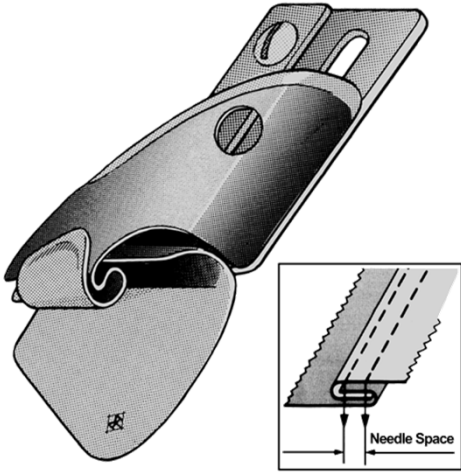


The image shows a 3D perspective view of the A32 folder with a piece of material being processed. An inset diagram shows a cross-section of the material with a dashed line indicating the needle space and a solid line showing the folder's profile.

**A34 (160619) SPRING TYPE LAP SEAM FOLDER**

NEEDLE SPACE

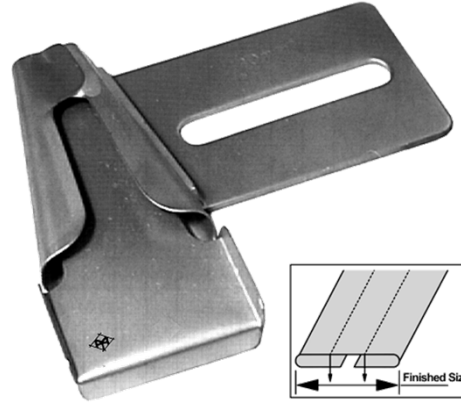
- 1/8"M
- 1/8"MH
- 1/8"H
- 5/32"M
- 5/32"MH
- 5/32"H
- 3/16"M
- 3/16"MH
- 3/16"H
- 3/16"XH
- 1/4"M
- 1/4"MH
- 1/4"H
- 1/4"XH
- 5/16"M
- 5/16"MH
- 5/16"H
- 5/16"XH



The image shows a 3D perspective view of the A34 folder with a piece of material being processed. An inset diagram shows a cross-section of the material with a dashed line indicating the needle space and a solid line showing the folder's profile.

**A36 BELT LOOP FOLDER**

- 6MM-12MM
- 7MM-14MM
- 8MM-16MM
- 9MM-18MM
- 10MM-20MM
- 11MM-22MM
- 12MM-24MM
- 13MM-26MM
- 14MM-28MM
- 15MM-30MM
- 18MM-36MM
- 20MM-40MM

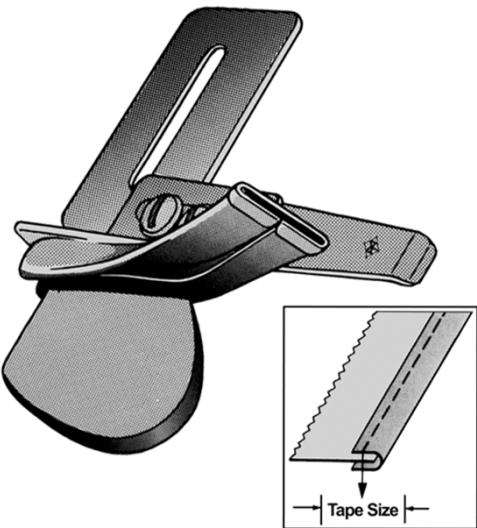


The image shows a 3D perspective view of the A36 folder with a piece of material being processed. An inset diagram shows a cross-section of the material with a dashed line indicating the finished size and a solid line showing the folder's profile.

**A4 (100,100LS) BRAID OR TAPE BINDER**

TAPE SIZES

- 3/8"
- 1/2"
- 5/8"
- 3/4"
- 7/8"
- 1"
- 1-1/8"
- 1-3/16"
- 1-1/4"
- 1-3/8"
- 1-1/2"
- 1-5/8"
- 1-3/4"
- 1-7/8"
- 2"

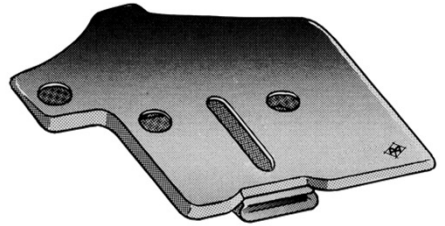


The image shows a 3D perspective view of the A4 binder with a piece of material being processed. An inset diagram shows a cross-section of the material with a dashed line indicating the tape size and a solid line showing the binder's profile.

**A41 BRASSIERE & CORSET ATTACHMENT**

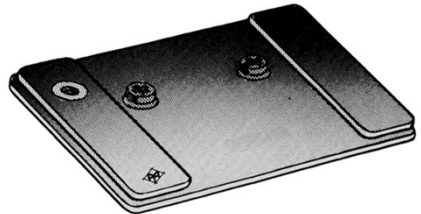
NEEDLE SPACE

- 1/8"
- 3/16"
- 1/4"
- 5/16"
- 3/8"



The image shows a 3D perspective view of the A41 attachment with a piece of material being processed. An inset diagram shows a cross-section of the material with a dashed line indicating the needle space and a solid line showing the attachment's profile.

**A41B PLASTIC SLIDE PLATE**



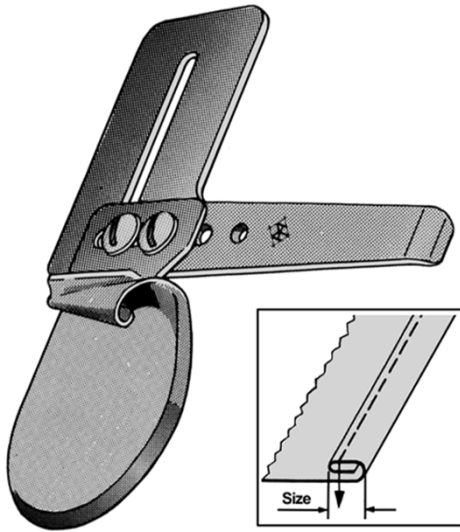
The image shows a 3D perspective view of the A41B slide plate with a piece of material being processed. An inset diagram shows a cross-section of the material with a dashed line indicating the needle space and a solid line showing the slide plate's profile.

**PARTS FOR FOLDERS & BINDERS**

**A400 (400) PLAIN HEMMER**

HEM SIZES

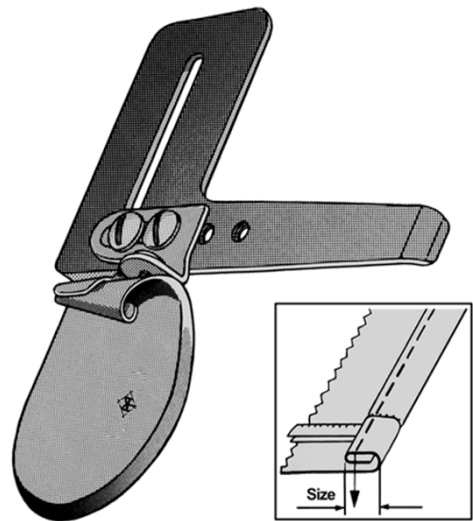
- 1/16"
- 1/8"
- 3/16"
- 1/4"
- 3/8"
- 1/2"



**A450 (450) SPRING HEMMER**

HEM SIZES

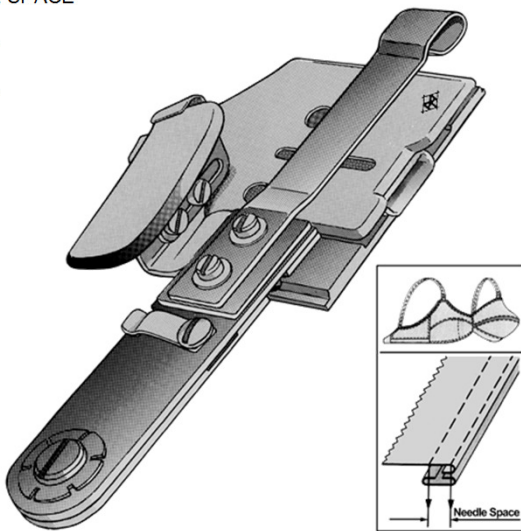
- 1/16"
- 1/8"
- 3/16"
- 1/4"
- 3/8"
- 1/2"



**A417A BRASSIERE & CORSET ATTACHMENT**

NEEDLE SPACE

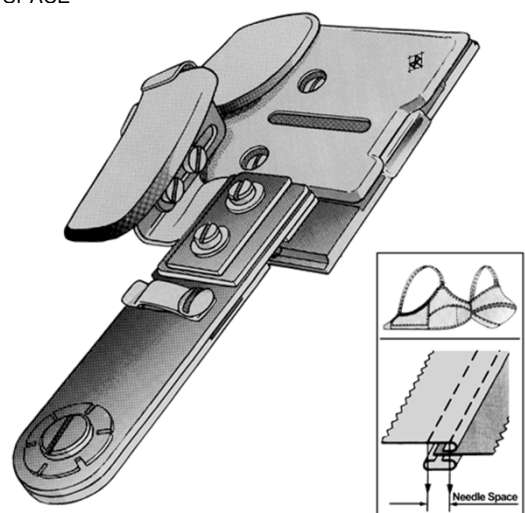
- 1/8"
- 3/16"
- 1/4"
- 5/16"
- 3/8"



**A417B (S110) BRASSIERE & CORSET JOINING ATTACHMENT**

NEEDLE SPACE

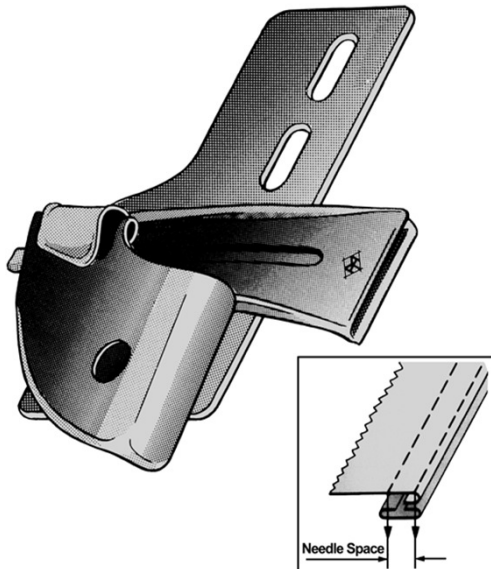
- 1/8"
- 3/16"
- 1/4"
- 5/16"
- 3/8"



**A42 SLEEVE FACING FOLDER**

NEEDLE S

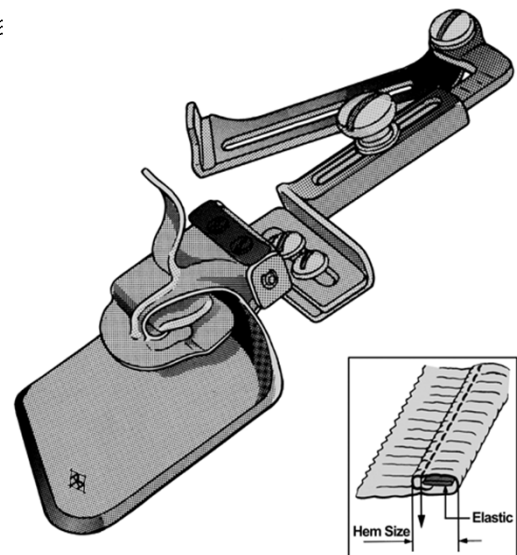
- 1/8"
- 3/16"
- 1/4"



**A43L LATCH ELASTIC HEMMER**

HEM SIZE

- 16MM
- 20MM



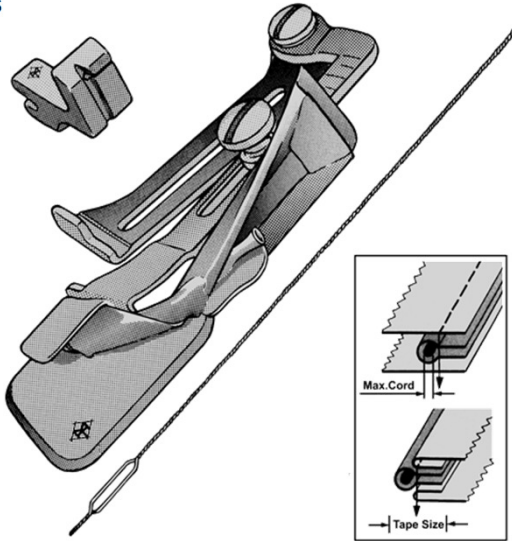
**PARTS FOR FOLDERS & BINDERS**

**A46A (S65)**

**CORD EDGE PIPING ATTACHMENT**

TAPE SIZES

- 15MM
- 17MM
- 18MM
- 20MM
- 22MM
- 23MM
- 24MM
- 25MM
- 26MM
- 28MM
- 30MM
- 32MM

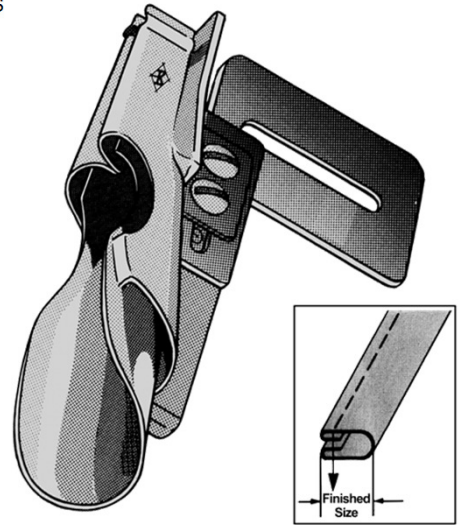


**A5**

**BELT & LOOP FOLDER**

FINISHED SIZES

- 5MM
- 8MM
- 10MM
- 12MM
- 15MM
- 18MM
- 20MM
- 22MM
- 24MM
- 25MM
- 26MM
- 28MM
- 30MM
- 35MM
- 40MM
- 45MM
- 50MM

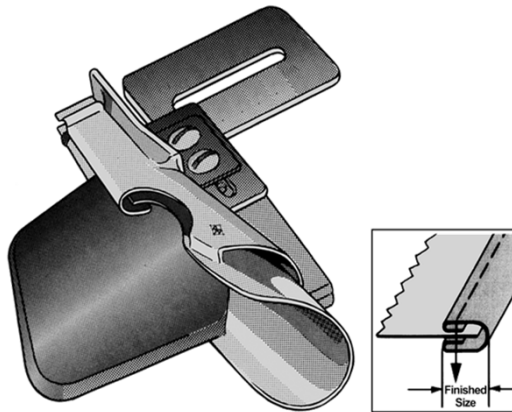


**A5B**

**STRAIGHT FOLDER**

FINISHED SIZES

- 5MM
- 8MM
- 10MM
- 12MM
- 15MM
- 18MM
- 20MM
- 22MM
- 24MM
- 25MM
- 26MM
- 28MM
- 30MM
- 35MM
- 40MM
- 45MM
- 50MM

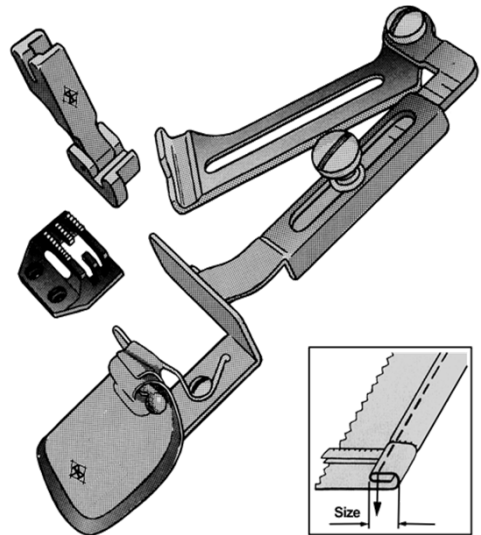


**A70 (S70)(K11A)**

**SHIRTS TAIL SPRING HEMMER**

HEM SIZES

- 1/16"
- 1/8"
- 3/16"
- 1/4"
- 3/8"
- 1/2"
- 5/8"
- 3/4"
- 7/8"
- 1"

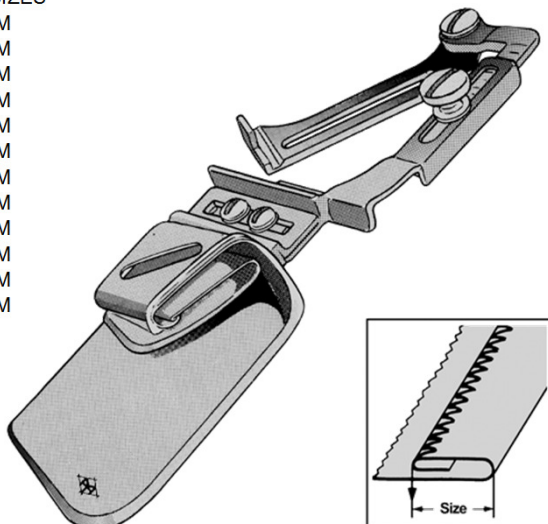


**A72B (S72B)**

**SWING HEMMER  
(FOR BLINDSTITCH MACHINES)**

HEM SIZES

- 6MM
- 10MM
- 13MM
- 16MM
- 20MM
- 25MM
- 30MM
- 35MM
- 40MM
- 45MM
- 50MM
- 60MM

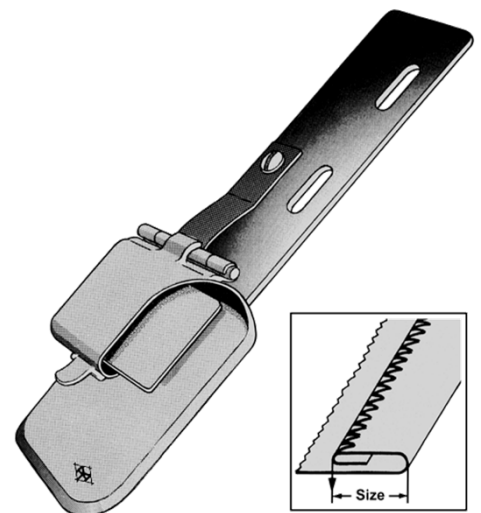


**A73 (S73)**

**MOUSE TRAP LATCH HEMMER  
(FOR BLINDSTITCH MACHINES)**

HEM SIZES

- 1"
- 1-1/4"
- 1-1/2"
- 2"
- 2-1/2"
- 3"
- 3-1/2"
- 4"
- 5"
- 6"



**PARTS FOR FOLDERS & BINDERS**

**A75D (S75D) SINGLE DOWNTURN FELLER**

HEM SIZES  
 1/8"  
 3/16"  
 1/4"  
 5/16"  
 3/8"  
 1/2"  
 5/8"  
 3/4"  
 7/8"  
 1"

**A75U (S75U) SINGLE UPTURN FELLER**

HEM SIZES  
 1/8"  
 3/16"  
 1/4"  
 5/16"  
 3/8"  
 1/2"  
 5/8"  
 3/4"  
 7/8"  
 1"

**A78 (S78)(K11B) LATCH HEMMER**

HEM SIZES  
 1/4"  
 5/16"  
 3/8"  
 1/2"  
 5/8"  
 3/4"  
 7/8"  
 1"

**A9 (508,508LS) PLAIN BIAS BINDER**

TAPE SIZES  
 1/2"  
 5/8"  
 3/4"  
 7/8"  
 1"  
 1-1/8"  
 1-1/4"  
 1-3/8"  
 1-1/2"  
 1-5/8"  
 1-3/4"  
 1-7/8"  
 2"

**K10 ADJUSTABLE BINDER**

TAPE SIZES  
 16MM  
 18MM  
 20MM  
 22MM  
 24MM  
 26MM  
 28MM  
 30MM  
 32MM  
 34MM  
 36MM  
 38MM  
 40MM  
 45MM  
 50MM

**K16-A CORD EDGE PIPING ATTACHMENT**

TAPE SIZES  
 5/8"  
 3/4"  
 7/8"  
 1"

**K16-B CORD EDGE PIPING ATTACHMENT**

TAPE SIZES  
 5/8"  
 3/4"  
 7/8"  
 1"  
 1-1/4"

**PARTS FOR FOLDERS & BINDERS**

**K411 1-ELASTIC BAND INSERTING**

FINISHED SIZES  
30MM  
33MM  
38MM  
45MM



The image shows a long, narrow metal tool with a handle and a slot for an elastic band. A small diagram to the right illustrates the tool being used to insert an elastic band into a folder's binding.

**K413 ELASTIC HEMMER**

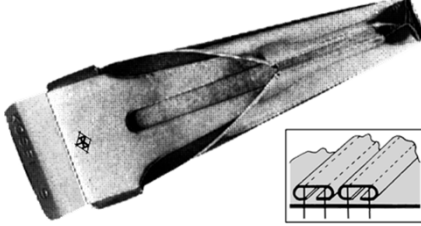
1"~1-1/2" ADJUSTABLE



The image shows a metal tool with a handle and a slot for an elastic band. A small diagram to the right illustrates the tool being used to hem an elastic band.

**K416 TOP STRIPPER FOLDER**

FINISHED SIZES  
8MM  
9MM  
10MM  
11MM  
12MM



The image shows a metal tool with a handle and a slot for a folder. A small diagram to the right illustrates the tool being used to strip the top of a folder.

**K516 WAIST BAND ATTACHMENT**

FINISHED SIZES  
32MM  
36MM  
38MM  
42MM  
45MM



The image shows two metal tools with handles and slots for waist bands. A small diagram to the right illustrates the tools being used to attach a waist band.

**K519 WAIST BAND ATTACHMENT**

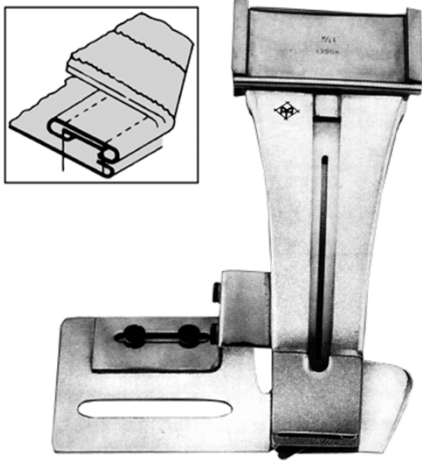
FINISHED SIZES  
32MM  
36MM  
38MM  
42MM  
45MM



The image shows a metal tool with a handle and a slot for a waist band. A small diagram to the right illustrates the tool being used to attach a waist band.

**K529 (T.N) SHIRT FRONTING**

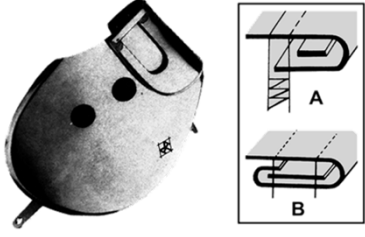
FINISHED SIZES  
1"  
1-1/8"  
1-1/4"  
1-3/8"  
1-1/2"  
1-5/8"  
1-3/4"  
2"



The image shows a metal tool with a handle and a slot for a shirt fronting. A small diagram to the left illustrates the tool being used to front a shirt.

**K523-A,K523-B ELASTIC INSERTING**

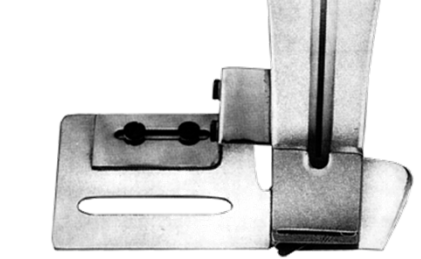
FINISHED SIZES  
9MM  
12MM



The image shows a metal tool with a handle and a slot for an elastic band. Two small diagrams to the right, labeled A and B, illustrate the tool being used to insert an elastic band.

**K529 (T.N) SHIRT FRONTING**

FINISHED SIZES  
1"  
1-1/8"  
1-1/4"  
1-3/8"  
1-1/2"  
1-5/8"  
1-3/4"  
2"



The image shows a metal tool with a handle and a slot for a shirt fronting. A small diagram to the left illustrates the tool being used to front a shirt.

**K530 WAIST BAND ATTACHMENT**

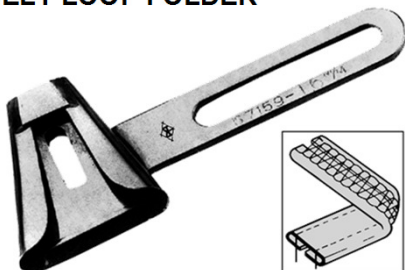
FINISHED SIZES  
1"  
1-1/8"  
1-1/4"  
1-3/8"  
1-1/2"  
1-5/8"  
1-3/4"



The image shows a metal tool with a handle and a slot for a waist band. A small diagram to the right illustrates the tool being used to attach a waist band.

**K759 BELT LOOP FOLDER**

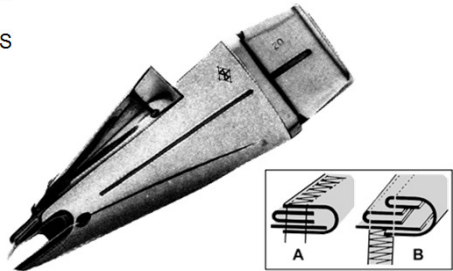
FINISHED SIZES  
9MM  
10MM  
11MM  
12MM  
13MM  
14MM  
15MM  
18MM  
20MM



The image shows a metal tool with a handle and a slot for a belt loop folder. A small diagram to the right illustrates the tool being used to fold a belt loop.

**K813-A,K813-B COLLARETTE BINDER**

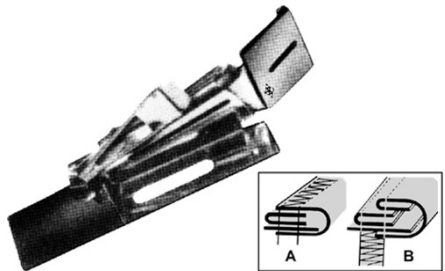
FINISHED SIZES  
3/8"  
1/2"  
5/8"  
3/4"  
7/8"  
1"



The image shows a metal tool with a handle and a slot for a collarette binder. Two small diagrams to the right, labeled A and B, illustrate the tool being used to bind a collarette.

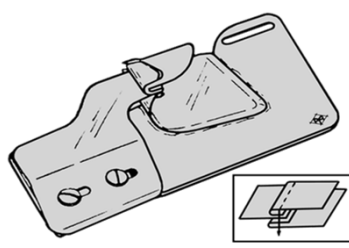
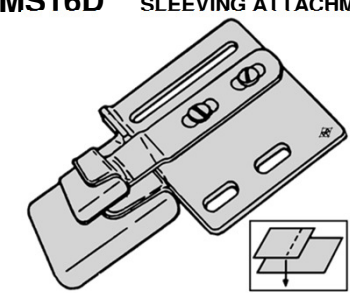
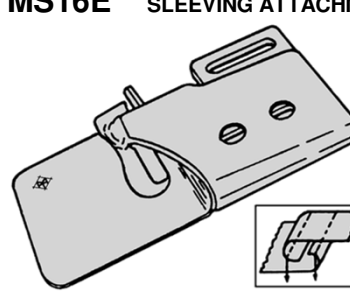
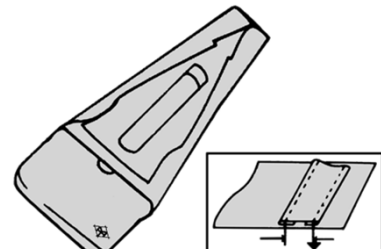
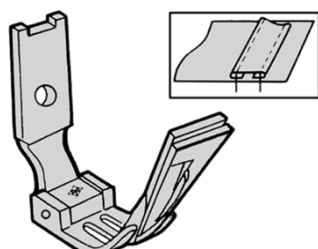
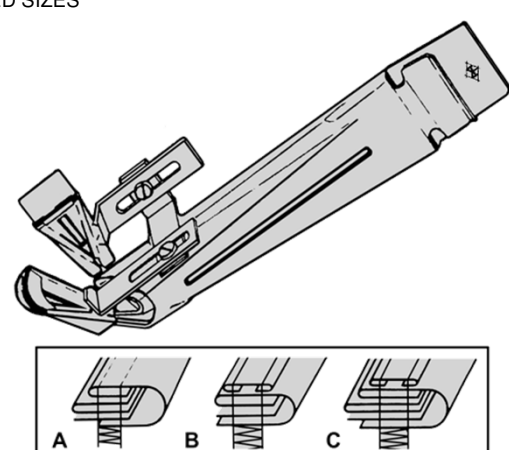
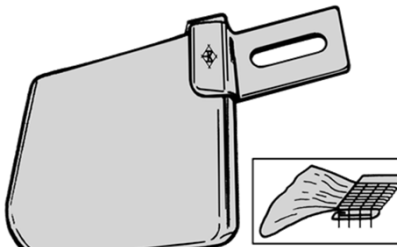
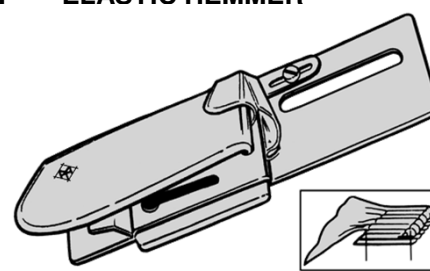
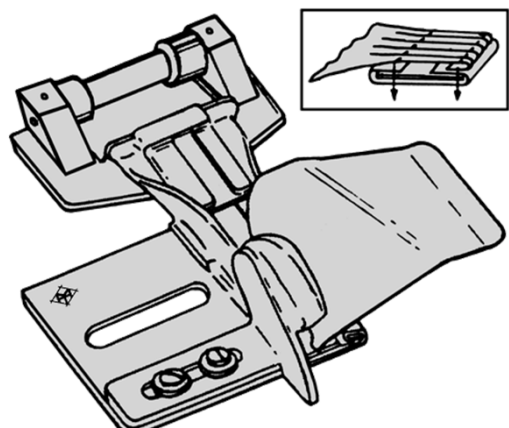
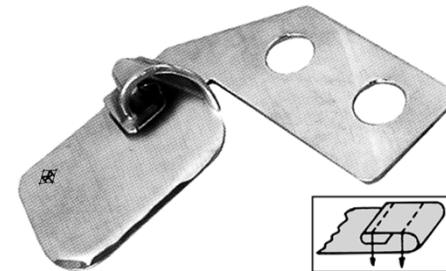
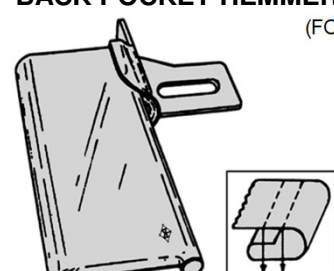
**K815-A,K815-B COLLARETTE BINDER**

FINISHED SIZES  
3/8"  
1/2"  
5/8"  
3/4"  
7/8"  
1"



The image shows a metal tool with a handle and a slot for a collarette binder. Two small diagrams to the right, labeled A and B, illustrate the tool being used to bind a collarette.

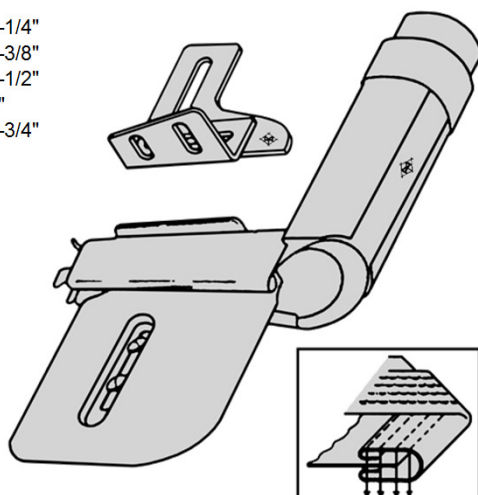
**PARTS FOR FOLDERS & BINDERS**

<p><b>MS16</b> DOUBLE YOKING ATTACHMENT</p> 	<p><b>MS16D</b> SLEEVING ATTACHMENT</p> 	<p><b>MS16E</b> SLEEVING ATTACHMENT</p> 
<p><b>MS105</b> TOP STRIPPER FOLDER</p> <p>NEEDLE SPACE</p> <ul style="list-style-type: none"> <li>1/8"</li> <li>3/16"</li> <li>1/4"</li> <li>5/16"</li> <li>3/8"</li> <li>1/2"</li> <li>5/8"</li> <li>3/4"</li> </ul> 	<p><b>MS112</b> STRIPPER WITH FOOT</p> <p>NEEDLE SPACE</p> <ul style="list-style-type: none"> <li>1/8"</li> <li>3/16"</li> <li>1/4"</li> <li>5/16"</li> <li>3/8"</li> <li>1/2"</li> <li>5/8"</li> <li>3/4"</li> </ul> 	
<p><b>MS17A,MS17B,MS17C</b> KNITWEAR BINDER</p> <p>FINISHED SIZES</p> <ul style="list-style-type: none"> <li>5/16"</li> <li>3/8"</li> <li>1/2"</li> <li>5/8"</li> <li>3/4"</li> <li>7/8"</li> <li>1"</li> </ul> 	<p><b>MS23</b> ELASTIC HEMMER</p> <p>HEM SIZES</p> <ul style="list-style-type: none"> <li>30MM</li> <li>33MM</li> </ul> 	<p><b>MS24</b> ELASTIC HEMMER</p> 
<p><b>MS25CC</b> ELASTIC HEMMER</p> <p>2-1/4"X1-1/4"</p> 	<p><b>MS280</b> FRONT POCKET HEMMER</p> <p>HEM SIZES</p> <ul style="list-style-type: none"> <li>3/8"</li> <li>1/2"</li> </ul> 	
		<p><b>MS295</b> BACK POCKET HEMMER (FOR BLUE JEANS)</p> <p>HEM SIZES</p> <ul style="list-style-type: none"> <li>3/8"</li> <li>1/2"</li> </ul> 

**PARTS FOR FOLDERS & BINDERS**

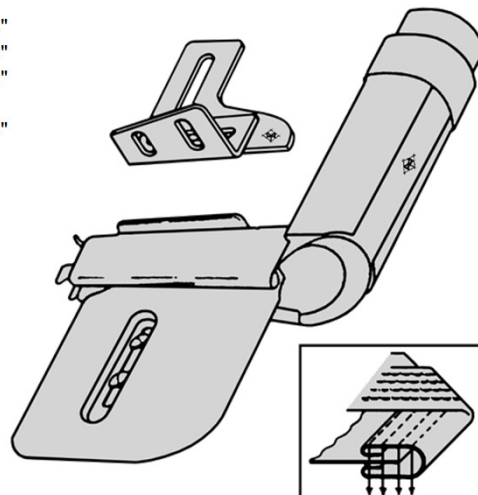
**MS325 ELBOW BINDER**  
(FOR CORDURY, KHAHI)

3-1/4"X1-1/4"  
3-1/2"X1-3/8"  
3-3/4"X1-1/2"  
4"X1-5/8"  
4-1/4"X1-3/4"



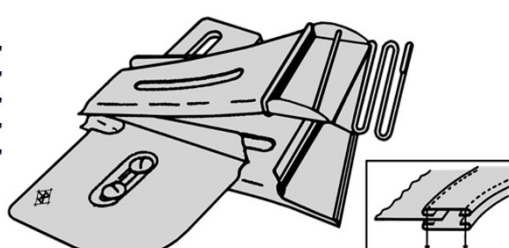
**MS328 ELBOW BINDER**  
(FOR TOWEL CLOTH, BLUE JEAN)

3-1/4"X1-1/4"  
3-1/2"X1-3/8"  
3-3/4"X1-1/2"  
4"X1-5/8"  
4-1/4"X1-3/4"




**MS337 WAISTBAND FOLDER**

2-1/4"X1-1/4"  
2-3/8"X1-3/8"  
2-1/2"X1-1/2"  
2-5/8"X1-5/8"  
2-3/4"X1-3/4"



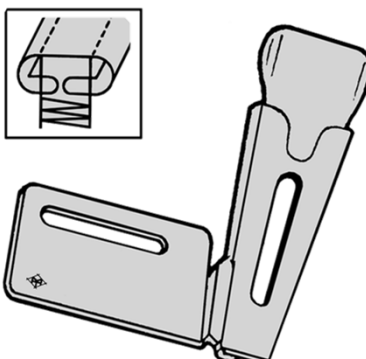
**MS358 (23420Z-9) LAP SEAM FOLDER**

NEEDLE SPACE  
1/8" M      3/16" XH  
1/8" MH    1/4" M  
1/8" H      1/4" MH  
5/32" M    1/4" H  
5/32" MH   1/4" XH  
5/32" H    5/16" M  
3/16" M    5/16" MH  
3/16" MH   5/16" H  
3/16" H    5/16" XH



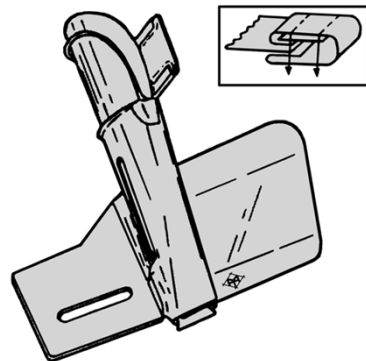
**MS37 BELT LOOP FOLDER**

1-1/8"X3/8"  
1-1/4"X7/16"  
1-3/8"X1/2"



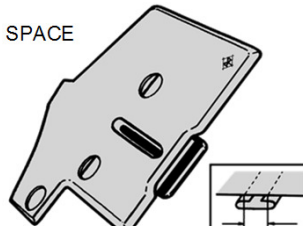
**MS40L WAIST BAND ATTAVHMENT WITH LINING**

3-1/4"X1-1/4"  
3-1/2"X1-3/8"  
3-3/4"X1-1/2"  
4"X1-5/8"  
4-1/4"X1-3/4"

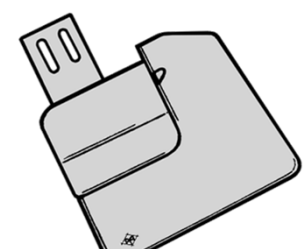


**MS41 BRASSIERE & CORSET ATTACHMENT**

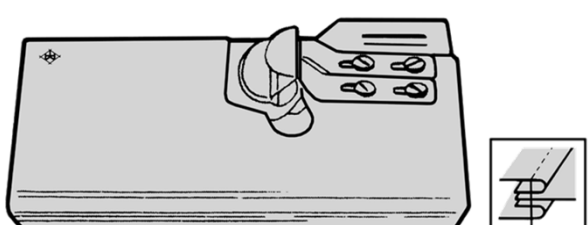
NEEDLE SPACE  
1/8"  
3/16"  
1/4"  
5/16"  
3/8"



**MS43 CUFF ATTACHMENT**

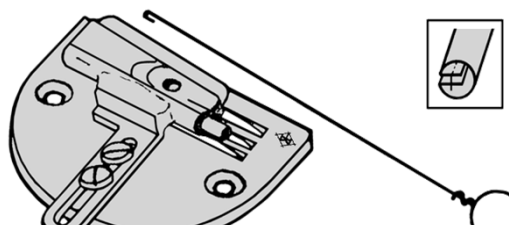


**MS42 YOKE ATTACHMENT**



**MS53 SPAGHETTI ATTACHMENT**

TAPE SIZES  
5/8"  
3/4"  
7/8"  
1"  
1-1/8"  
1-1/4"  
1-1/2"

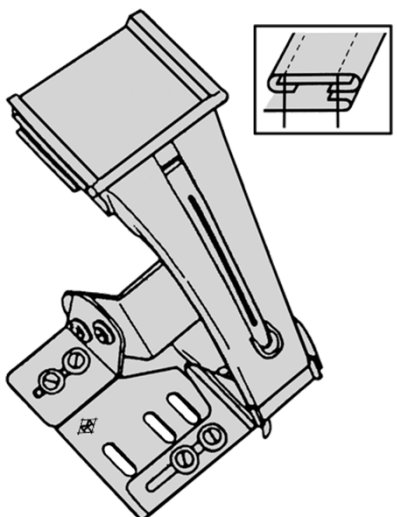




**PARTS FOR FOLDERS & BINDERS**

**MS45 TOP CENTER FOLDER**

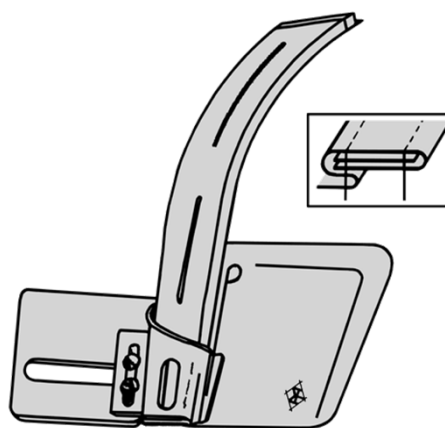
1-3/4"X1"  
 2"X1-1/8"  
 2-1/4"X1-1/4"  
 2-1/4"X1-3/8"  
 2-1/2"X1-1/2"  
 2-1/2"X1-5/8"  
 2-3/4"X1-3/4"  
 3"X1-3/4"



The image shows a top center folder with a large handle and a base. A small inset diagram shows a cross-section of the folder's mechanism, highlighting the top center fold.

**MS45A IMITATION CENTER FOLDER**

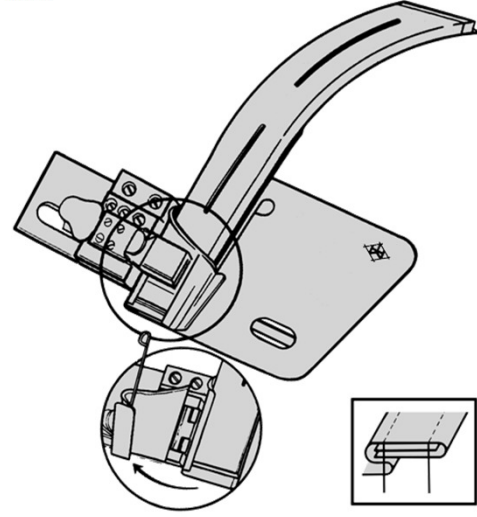
FINISHED X NEEDLE  
 1"X3/8"  
 1"X1/2"  
 1"X5/8"  
 1-1/8"X1/2"  
 1-1/8"X5/8"  
 1-1/8"X3/4"  
 1-1/4"X5/8"  
 1-1/4"X3/4"  
 1-1/4"X7/8"  
 1-3/8"X3/4"  
 1-3/8"X7/8"  
 1-3/8"X1"  
 1-1/2"X7/8"  
 1-1/2"X1"  
 1-1/2"X1-1/8"  
 1-5/8"X1"  
 1-5/8"X1-1/8"  
 1-5/8"X1-1/4"  
 1-3/4"X1-1/8"  
 1-3/4"X1-1/4"  
 1-3/4"X1-3/8"



The image shows an imitation center folder with a curved handle and a base. A small inset diagram shows a cross-section of the folder's mechanism, highlighting the imitation center fold.

**MS45B IMITATION CENTER FOLDER**

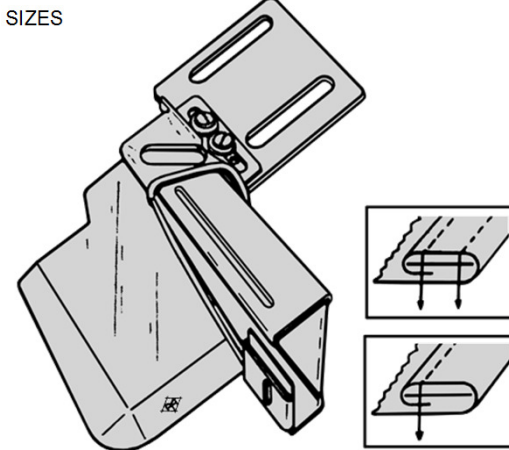
FINISHED X NEEDLE  
 1"X3/8"  
 1"X1/2"  
 1"X5/8"  
 1-1/8"X1/2"  
 1-1/8"X5/8"  
 1-1/8"X3/4"  
 1-1/4"X5/8"  
 1-1/4"X3/4"  
 1-1/4"X7/8"  
 1-3/8"X3/4"  
 1-3/8"X7/8"  
 1-3/8"X1"  
 1-1/2"X7/8"  
 1-1/2"X1"  
 1-1/2"X1-1/8"  
 1-5/8"X1"  
 1-5/8"X1-1/8"  
 1-5/8"X1-1/4"  
 1-3/4"X1-1/8"  
 1-3/4"X1-1/4"  
 1-3/4"X1-3/8"



The image shows an imitation center folder with a curved handle and a base. A small inset diagram shows a cross-section of the folder's mechanism, highlighting the imitation center fold.

**MS45L WAIST BAND ATTAVHMENT WITH LINING**

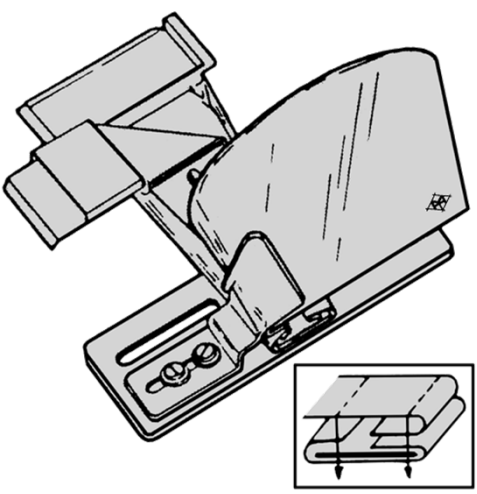
FINISHED SIZES  
 3/4"  
 7/8"  
 1"  
 1-1/8"  
 1-1/4"  
 1-3/8"  
 1-1/2"



The image shows a waist band attachment with a handle and a base. Two inset diagrams show cross-sections of the attachment, highlighting the lining and the way it fits onto a folder.

**MS45R REVERSE TYPE TOP CENTER FOLDER**

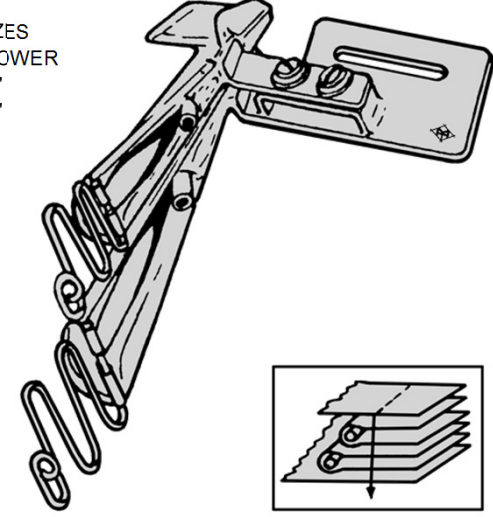
1-3/4"X1"  
 2"X1-1/8"  
 2-1/4"X1-1/4"  
 2-1/4"X1-3/8"  
 2-1/2"X1-1/2"  
 2-1/2"X1-5/8"  
 2-3/4"X1-3/4"  
 3"X1-3/4"



The image shows a reverse type top center folder with a handle and a base. A small inset diagram shows a cross-section of the folder's mechanism, highlighting the reverse top center fold.

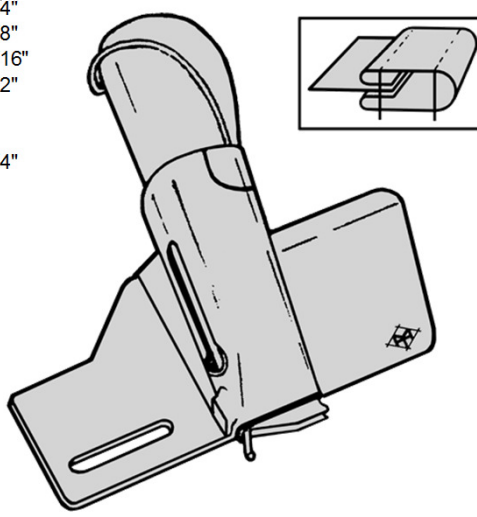
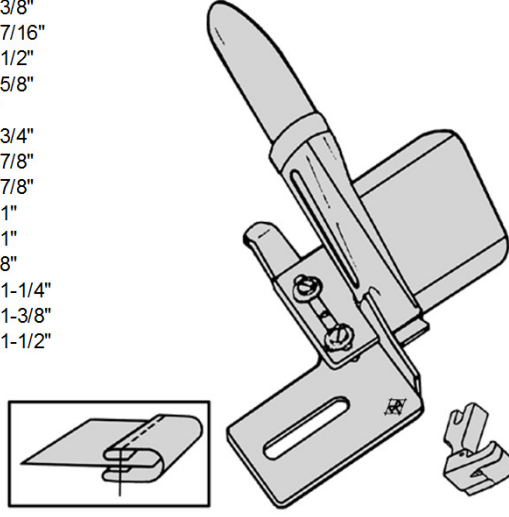
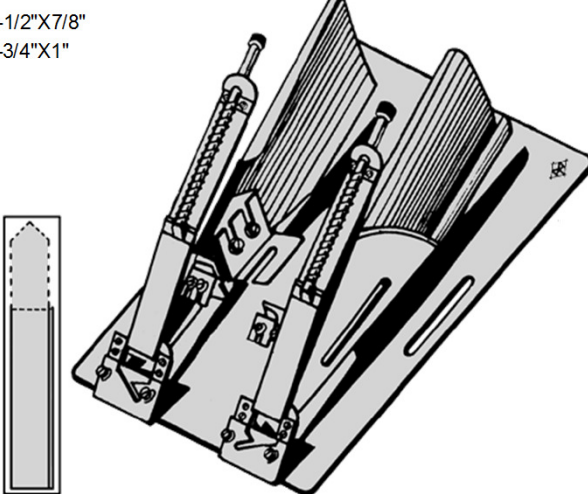
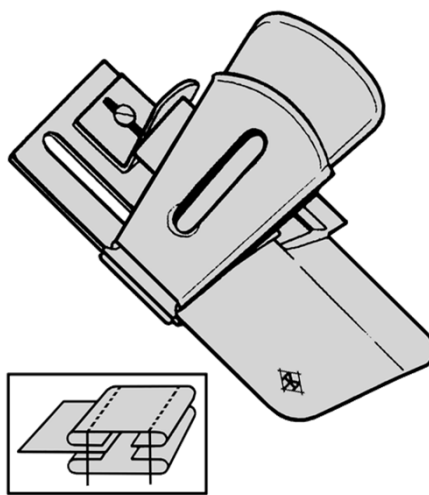
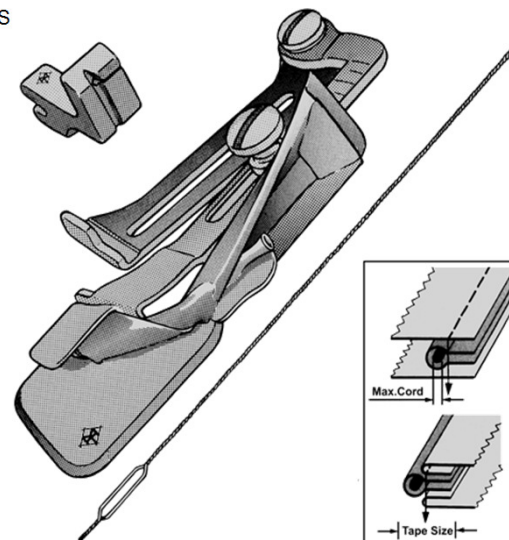
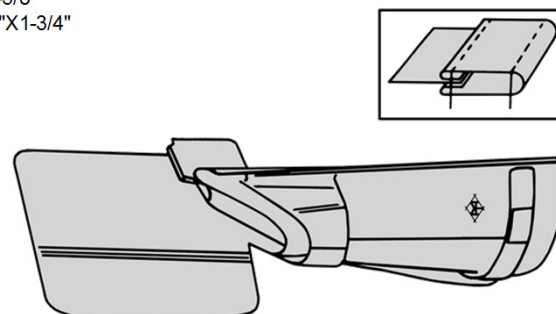
**MS49 PIGGY BACK CORD PIPING ATTACHMENT**

TAPE SIZES  
 UPPER X LOWER  
 5/8"X3/4"  
 3/4"X7/8"  
 7/8"X1"



The image shows a piggy back cord piping attachment with a handle and a base. A small inset diagram shows a cross-section of the attachment, highlighting the cord piping mechanism.

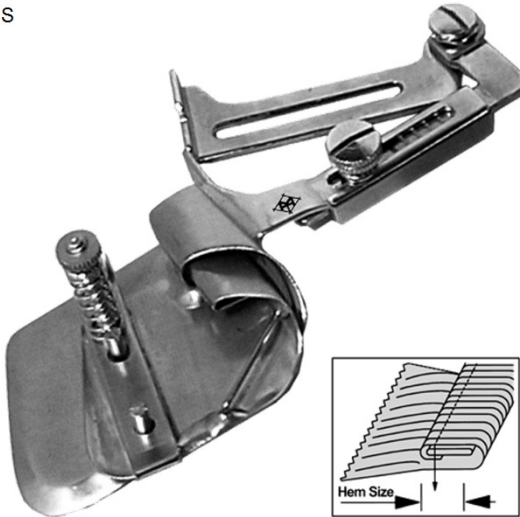
**PARTS FOR FOLDERS & BINDERS**

<p><b>MS60 WAIST BAND ATTAVHMENT</b></p> <p>3-1/4"X1-1/4"              3-1/2"X1-3/8"              3-3/4"X1-7/16"              3-3/4"X1-1/2"              4"X1-1/4"              4"X1-5/8"              4-1/4"X1-3/4"</p> 	<p><b>MS61 SLEEVE PLACKET FOLDER</b></p> <p>1-1/4"X3/8"              1-3/8"X7/16"              1-1/2"X1/2"              1-3/4"X5/8"              2"X3/4"              2-1/4"X3/4"              2-1/4"X7/8"              2-1/2"X7/8"              2-1/2"X1"              2-3/4"X1"              3"X1-1/8"              3-1/4"X1-1/4"              3-1/2"X1-3/8"              3-3/4"X1-1/2"</p> 
<p><b>MS61S SLEEVE PLACKET FOLDER</b></p> <p>2-1/2"X7/8"              2-3/4"X1"</p> 	<p><b>MS63 TOP &amp; BOTTOM WAISTBAND ATTACHMENT</b></p> <p>2-1/4"X1-1/4"              2-3/8"X1-3/8"              2-1/2"X1-1/2"              2-5/8"X1-5/8"              2-3/4"X1-3/4"</p> 
<p><b>MS65 CORD EDGE PIPING ATTACHMENT</b></p> <p>TAPE SIZES              15MM              17MM              18MM              20MM              22MM              23MM              24MM              25MM              26MM              28MM              30MM              32MM</p> 	<p><b>MS7 RIGHT ANGLE ELBOW BINDER</b></p> <p>3-1/4"X1-1/4"              3-1/2"X1-3/8"              3-3/4"X1-1/2"              4"X1-5/8"              4-1/4"X1-3/4"</p> 

**PARTS FOR FOLDERS & BINDERS**

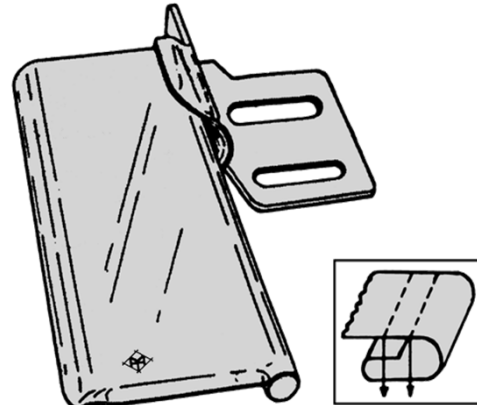
**MS91 (S91)**  
**STITCHED ELASTIC SWING HEMMER**

HEM SIZES  
3/16"  
1/4"  
5/16"  
3/8"  
1/2"  
5/8"



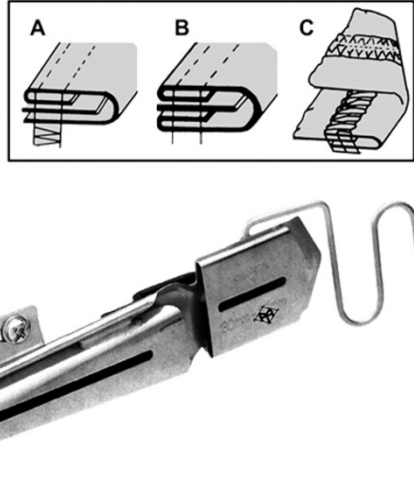
**MS95** **BACK POCKET HEMMER**  
(FOR BLUE JEANS)

HEM SIZES  
3/8"  
1/2"



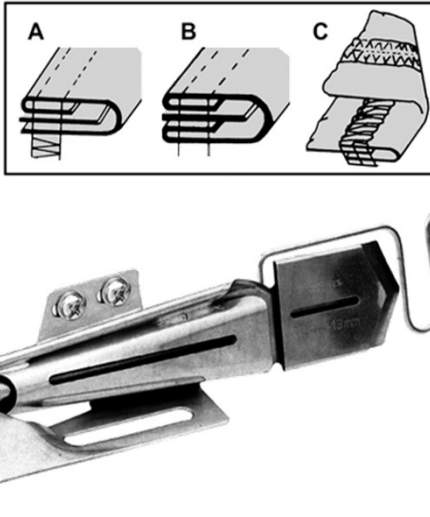
**S123A,S123B,S123C**  
(K710NA-A,K710NA-B,K710NA-C)  
**COLLARETTE BINDER**

<b>A-TYPE</b>	<b>B-TYPE</b>	<b>C-TYPE</b>
FINISHED SIZES	FINISHED SIZES	FINISHED SIZES
1/4"	1/4"	1/4"
5/16"	5/16"	5/16"
3/8"	3/8"	3/8"
7/16"	7/16"	1/2"
1/2"	1/2"	5/8"
9/16"	9/16"	3/4"
19/32"	5/8"	7/8"
5/8"	11/16"	1"
11/16"	3/4"	
3/4"	13/16"	
13/16"	7/8"	
7/8"	1"	
1"	1-1/8"	
1-1/16"	1-3/16"	
1-1/8"	1-1/4"	
1-3/16"	1-5/16"	
1-1/4"		
1-5/16"		
1-1/2"		

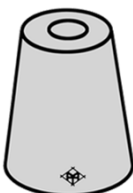
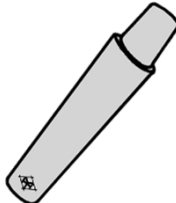
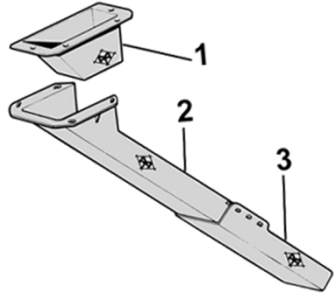
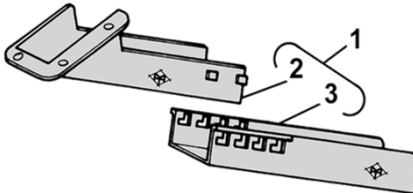
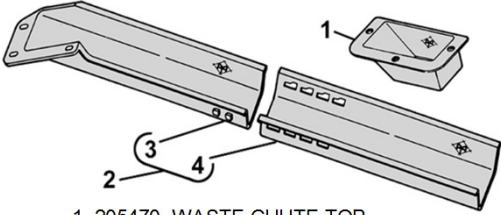


**S124A,S124B,S124C**  
(K712NA-A,K712NA-B,K712NA-C)  
**COLLARETTE BINDER**

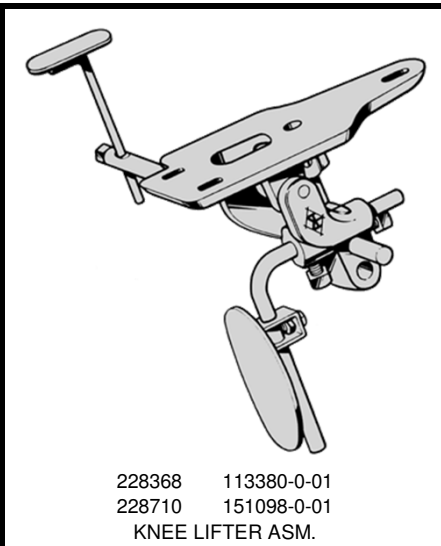
<b>A-TYPE</b>	<b>B-TYPE</b>	<b>C-TYPE</b>
FINISHED SIZES	FINISHED SIZES	FINISHED SIZES
1/4"	1/4"	1/4"
5/16"	5/16"	5/16"
3/8"	3/8"	3/8"
7/16"	7/16"	1/2"
1/2"	1/2"	5/8"
9/16"	9/16"	3/4"
19/32"	5/8"	7/8"
5/8"	11/16"	1"
11/16"	3/4"	
3/4"	13/16"	
13/16"	7/8"	
7/8"	1"	
1"	1-1/8"	
1-1/16"	1-3/16"	
1-1/8"		
1-3/16"		
1-1/4"		
1-5/16"		



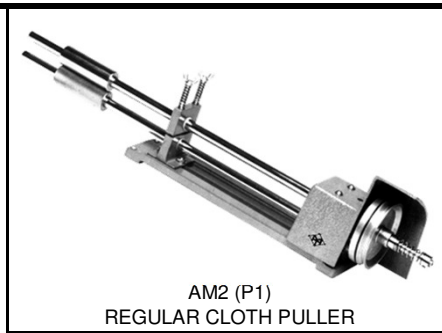
PARTS FOR VARIOUS

 <p>12405 TABLE FELT</p>	 <p>164188 MACHINE CUSHION, LARGE</p>	 <p>164189 MACHINE CUSHION, SMALL</p>	 <p>51295A ISOLATOR</p>	 <p>51295B ISOLATOR</p>	 <p>228444 MACHINE CUSHION</p>
 <p>540520 MACHINE BASE AND OIL RESERVOIR CUSHION (FRONT)</p>	 <p>540521 MACHINE BASE AND OIL RESERVOIR CUSHION (BACK)</p>	 <p>150668 (KP2) KNEE LIFTER PAD</p>	 <p>152210 RUBBER LEG CUSHION</p>		 <p>41400T TABLE PIN</p>
 <p>1. 148430-0-01 DUSTEN DROP 2. 148431-0-01 DUSTEN SHOOT (L) 3. 148432-0-01 DUSTEN SHOOT (S)</p>			 <p>1. 118-50054 WASTE CHUTE ASM. 2. 118-50005 WASTE CHUTE , UPPER 3. 118-49908 WASTE CHUTE , LOWER</p>		
 <p>1. 119-60150 WASTE CHUTE ASM. 2. 119-60101 WASTE CHUTE , UPPER 3. 119-60002 WASTE CHUTE , LOWER</p>		 <p>1. 6741,6742 WASTE CHUTE ASM. 2. 6741 WASTE CHUTE , UPPER 3. 6742 WASTE CHUTE , LOWER</p>		 <p>118-50153 WASTE CHUTE ASM.</p>	
 <p>1. 205470 WASTE CHUTE TOP 2. 9050 WASTE CHUTE SET 3. 205468 WASTE CHUTE 4. 205469 WASTE CHUTE EXTENSION</p>			 <p>1. AKX10 WASTE CHUTE SET 2. KX10 WASTE CHUTE TOP 3. KX12 WASTE CHUTE 4. KX13 WASTE CHUTE EXTENSION</p>		
 <p>259431 (117963-0-01) BOBBIN WINDER COMPLETE</p>			 <p>D3201-555-DAO BOBBIN WINDER COMPLETE</p>		

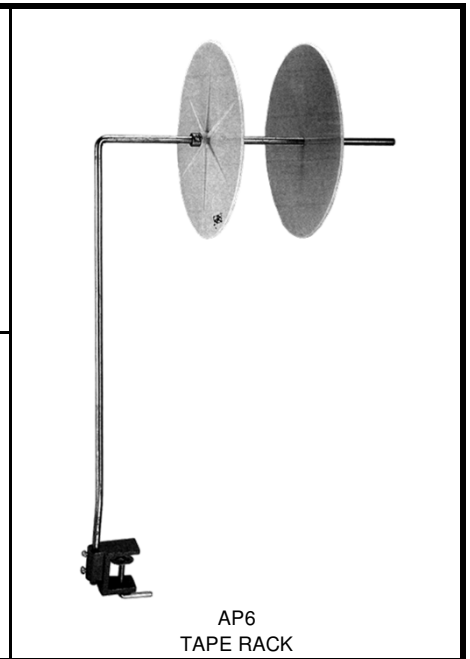
PARTS FOR VARIOUS



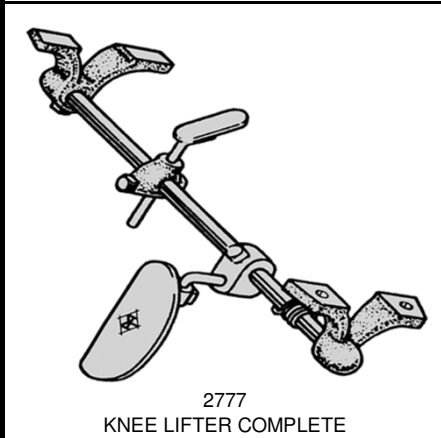
228368 113380-0-01  
228710 151098-0-01  
KNEE LIFTER ASM.



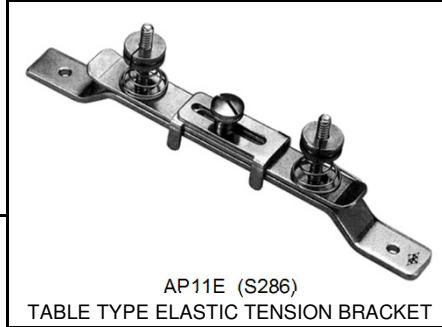
AM2 (P1)  
REGULAR CLOTH PULLER



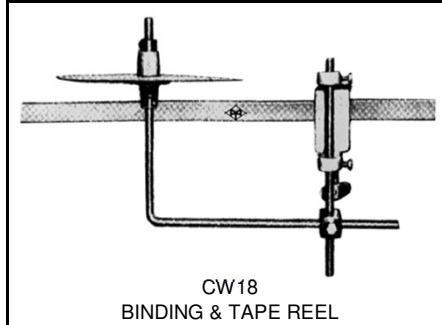
AP6  
TAPE RACK



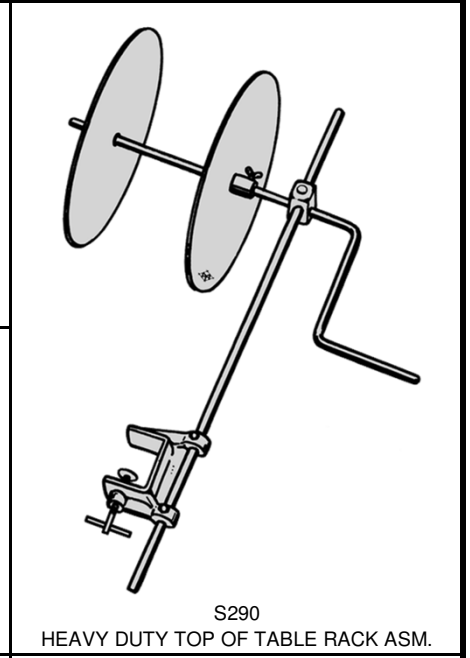
2777  
KNEE LIFTER COMPLETE



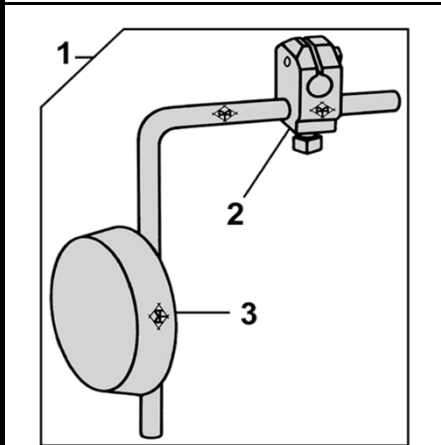
AP11E (S286)  
TABLE TYPE ELASTIC TENSION BRACKET



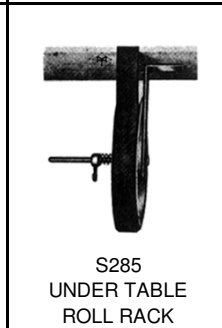
CW18  
BINDING & TAPE REEL



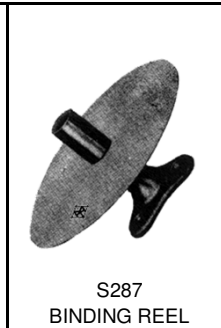
S290  
HEAVY DUTY TOP OF TABLE RACK ASM.



1. 181427-0-01 KNEE LIFTER ASM.  
2. 146039-0-01 KNEE LIFTER JOINT  
3. 140503-0-01 KNEE LIFTER PLATE COVER



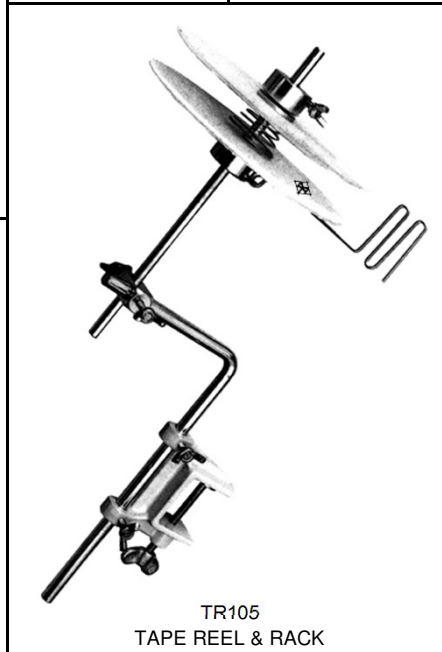
S285  
UNDER TABLE  
ROLL RACK



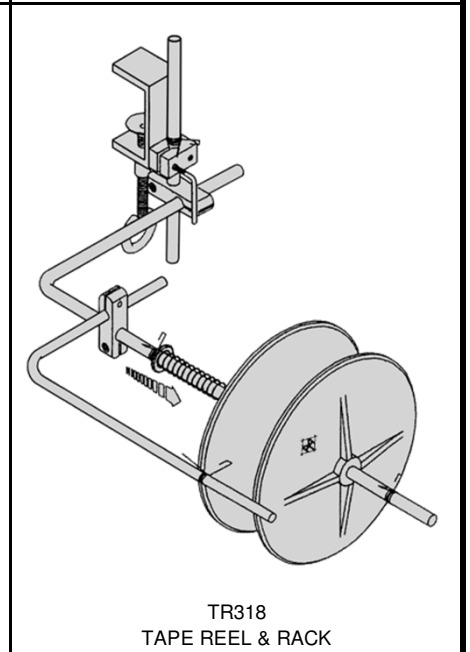
S287  
BINDING REEL



AP5  
TAPE RACK




TR105  
TAPE REEL & RACK



TR318  
TAPE REEL & RACK

PARTS FOR VARIOUS

 <p>G1 (25878) T-GAUGE</p>	 <p>G4 G4R (HARD PLASTIC) SHIRTS GAUGE</p>	 <p>G7 (120428) SWING GAUGE</p>	 <p>107SG SWING GAUGE COMPLETE</p>	 <p>G8 (25873) G8R (HARD PLASTIC) 3-CORNER GAUGE</p>
 <p>G20 G20-S MAGNETIC GAUGE</p>	 <p>MG1 (LMG) MAGNETIC GAUGE</p>	 <p>MG40 MAGNETIC GAUGE</p>	 <p>6440 ROLLER GAUGE (SOLID)</p>	 <p>G30 3/8" G30 1/2" G30 5/8" ROLLER GAUGE</p>
 <p>G30-L SWING ROLLER GAUGE</p>	 <p>G30-M SWING ROLLER GAUGE</p>	 <p>G30-S SWING ROLLER GAUGE FOR SINGER</p>	 <p>R7 STITCH RULER FOR PFAFF</p>	 <p>G808 STITCH RULER</p>
 <p>25090 REGULAR QUILTER</p>	 <p>BQ 100 BOSTON QUILTER</p>	 <p>SGQ1 SWING GUIDE QUILTER</p>	 <p>SGQ2 SWING GUIDE QUILTER</p>	 <p>810 GA MS-810 GAUGE</p>
 <p>BS200E(372) BS200E(373) BUTTON SPACING GAUGE</p>		 <p>CW-8B(GAUGE) GAUGE</p>	 <p>820-D MS-820 GAUGE</p>	
 <p>BS200LE(372) BS200LE(373) BUTTON SPACING GAUGE</p>	 <p>BS200ME(372) BS200ME(373) BUTTON SPACING GAUGE</p>	 <p>474-12 MS-474 GAUGE</p>		

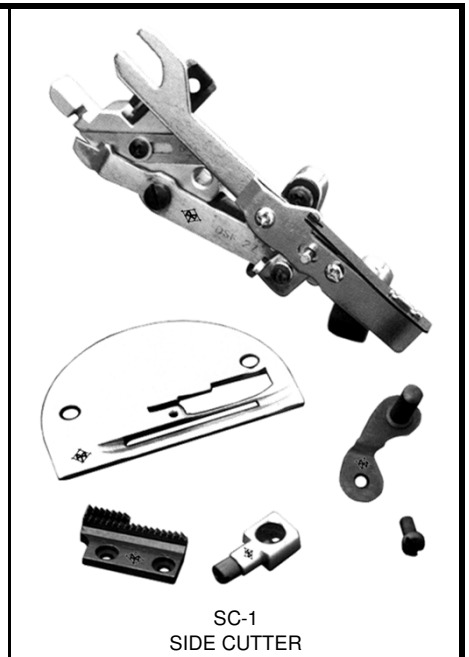
PARTS FOR VARIOUS



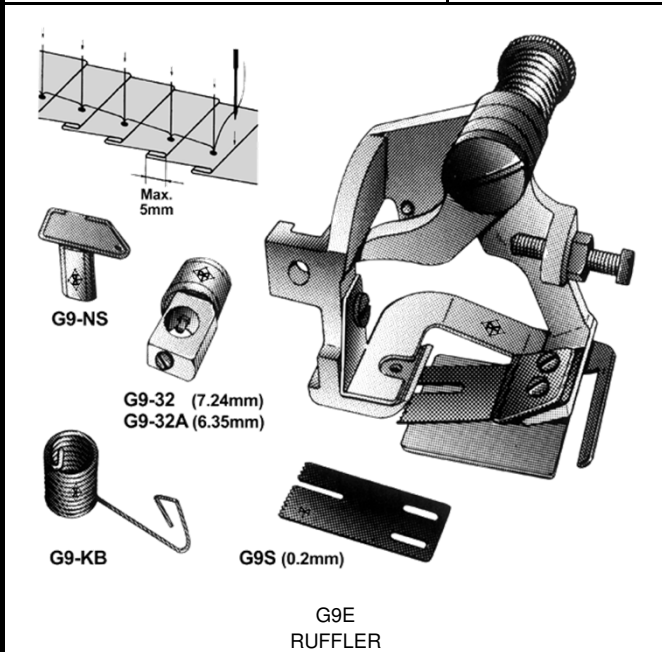
NG-DY  
GAUGE



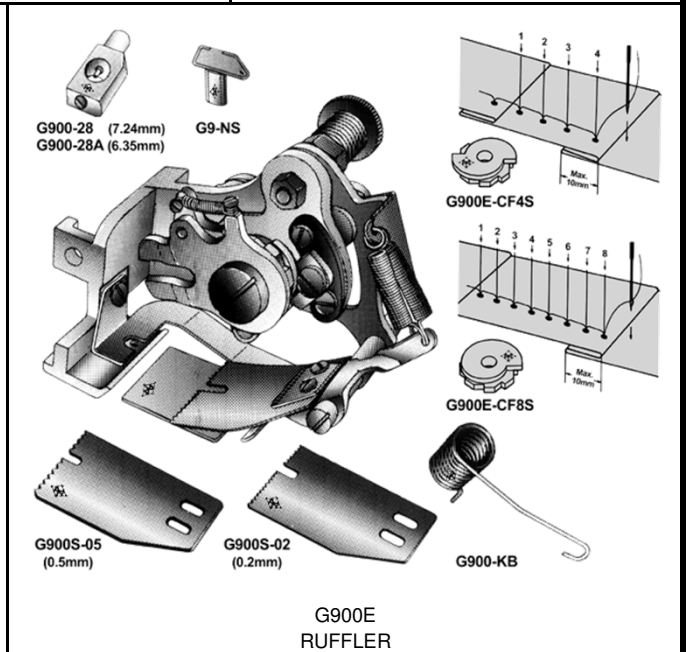
DY-350G  
GAUGE



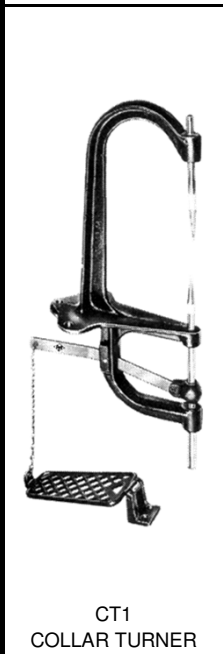
SC-1  
SIDE CUTTER



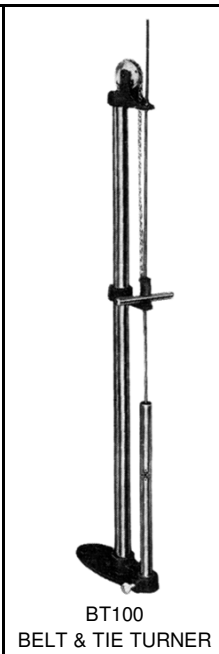
G9E  
RUFFLER



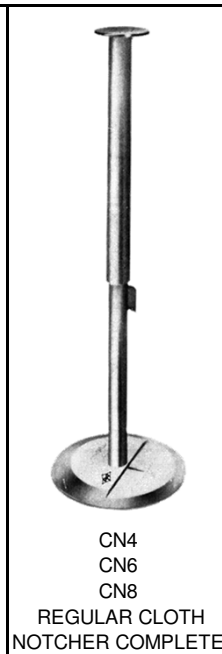
G900E  
RUFFLER



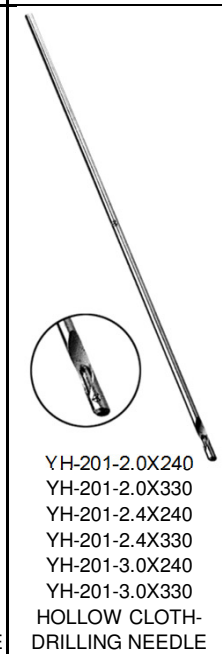
CT1  
COLLAR TURNER



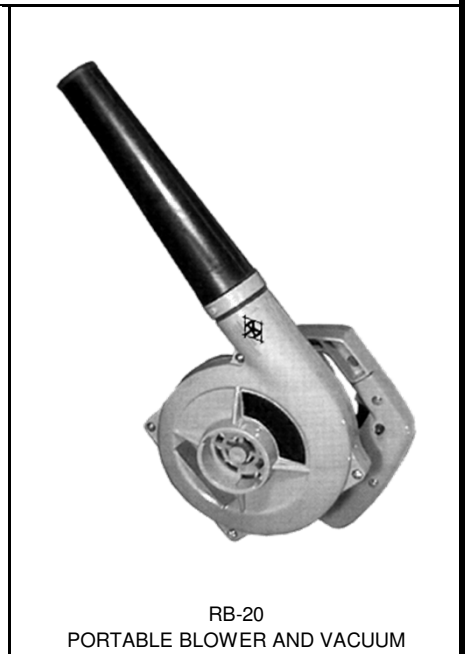
BT100  
BELT & TIE TURNER



CN4  
CN6  
CN8  
REGULAR CLOTH  
NOTCHER COMPLETE



YH-201-2.0X240  
YH-201-2.0X330  
YH-201-2.4X240  
YH-201-2.4X330  
YH-201-3.0X240  
YH-201-3.0X330  
HOLLOW CLOTH-  
DRILLING NEEDLE



RB-20  
PORTABLE BLOWER AND VACUUM